



Rumah Pulau is about a new housing concept for the slum dwellers in flood prone areas in the world, set within a casus location in Jakarta, Indonesia. The poorest people of the city have to deal with several floods each year, while the government threatens them with eviction of their houses by claiming that they live on property that doesn't belong to them. In multiple ways the slum dwellers lose their most important belonging, their houses. With this project we would be able to conserve their homes.

This project aims for a safer living environment and a higher independency for the people. It does so by building a new amphibious housing complex, that can provide space to up to eight households, and protects the homes against floods. The construction of the building and the connections in it are designed in such an easy way that the slum dwellers could build it by themselves. The construction materials are affordable and locally available.



Water level as usual.



Water level risen to +1000 mm



Water level risen to +2500 mm
still no risk

RUMAH PULAU

BOELEN & KRIELEN



Slum houses along the Ciliwung River



Evicted area along the Ciliwung river



Children living among the river.



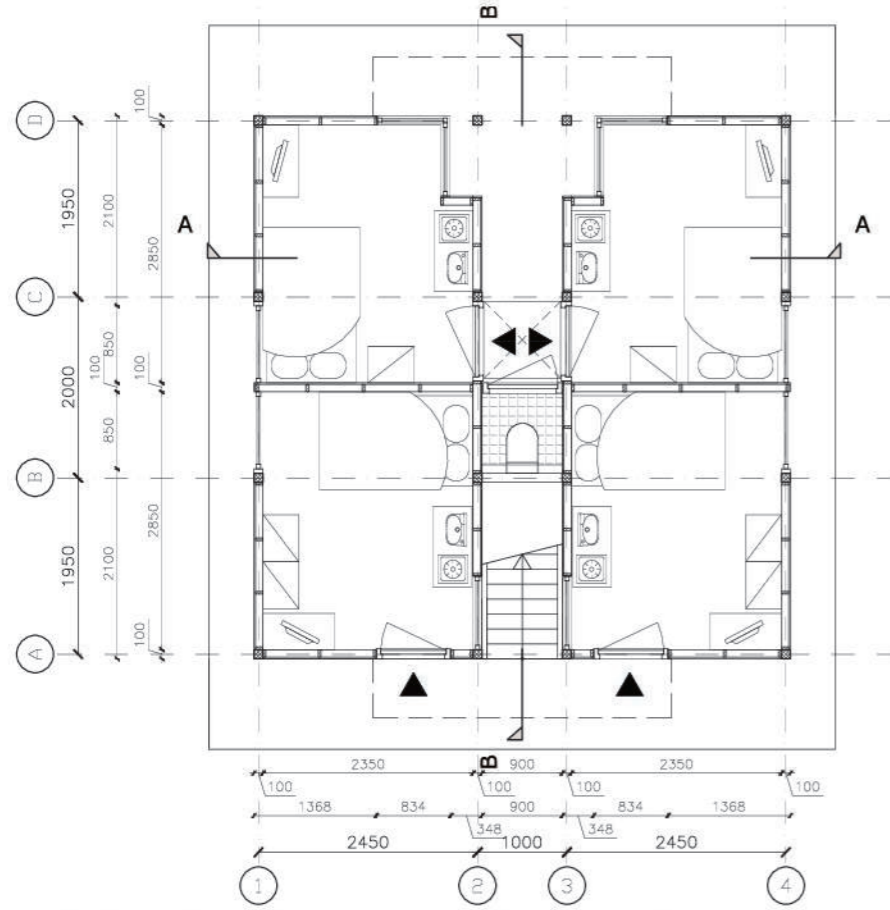
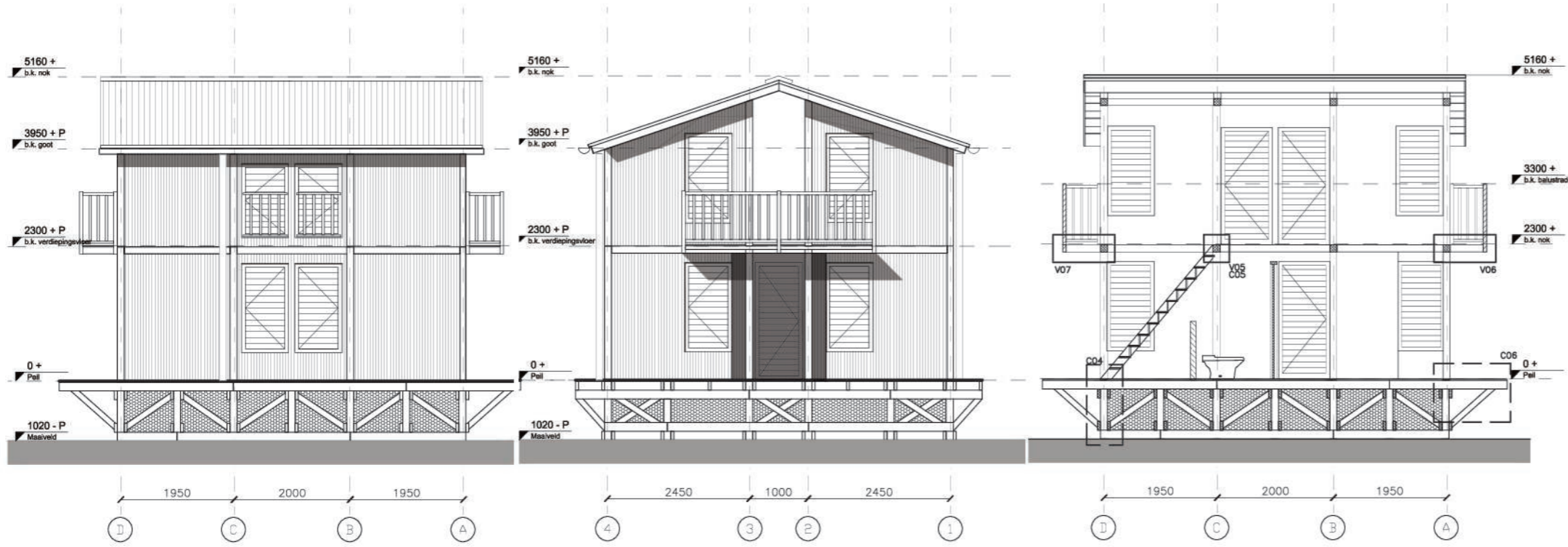
Heavy flood in Jakarta. Source: Japantimes (2007)

This project describes a setting of a slum in Jakarta, but the housing complex could be built in almost every other flood prone area in the world.

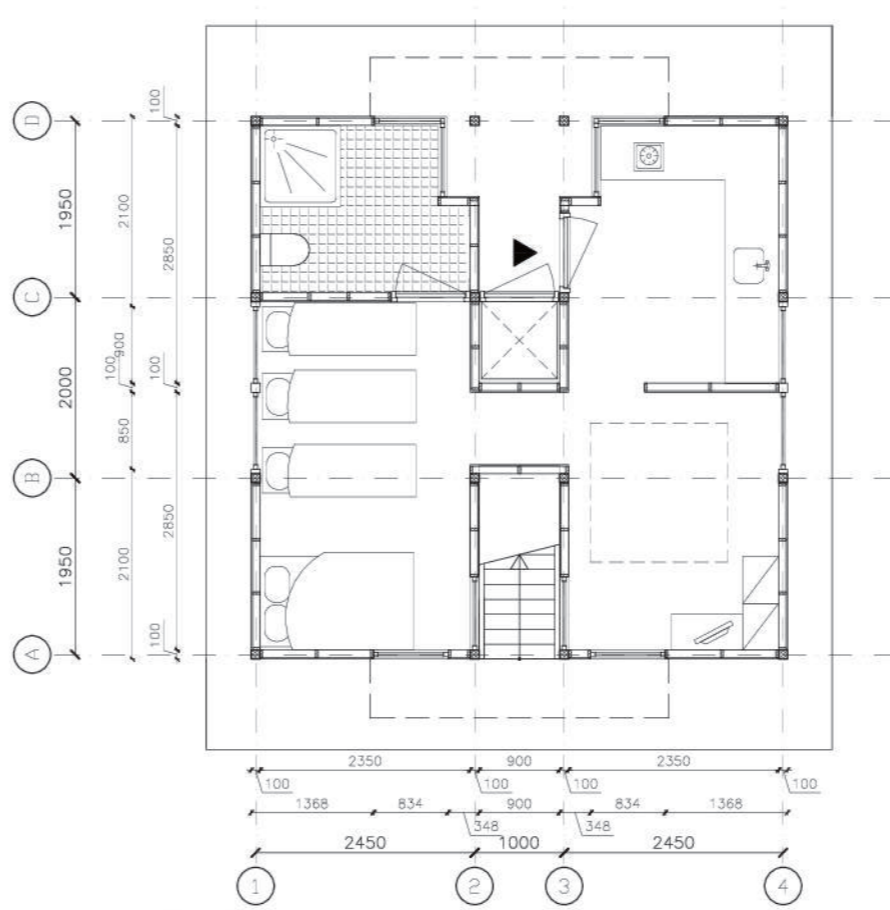
This project is all about cooperate and self-sufficiency. By visit the slums in Jakarta last November we found out the people in the slums are a strong connected community. A meeting with the kampung Chief showed us the community is willing to fight for their rights together. That is why we build a complex that serves place for more householders. The could build it together and share the cost.

RUMAH PULAU

BOELEN & KRIELEN



Floorplan groundfloor with place for four households

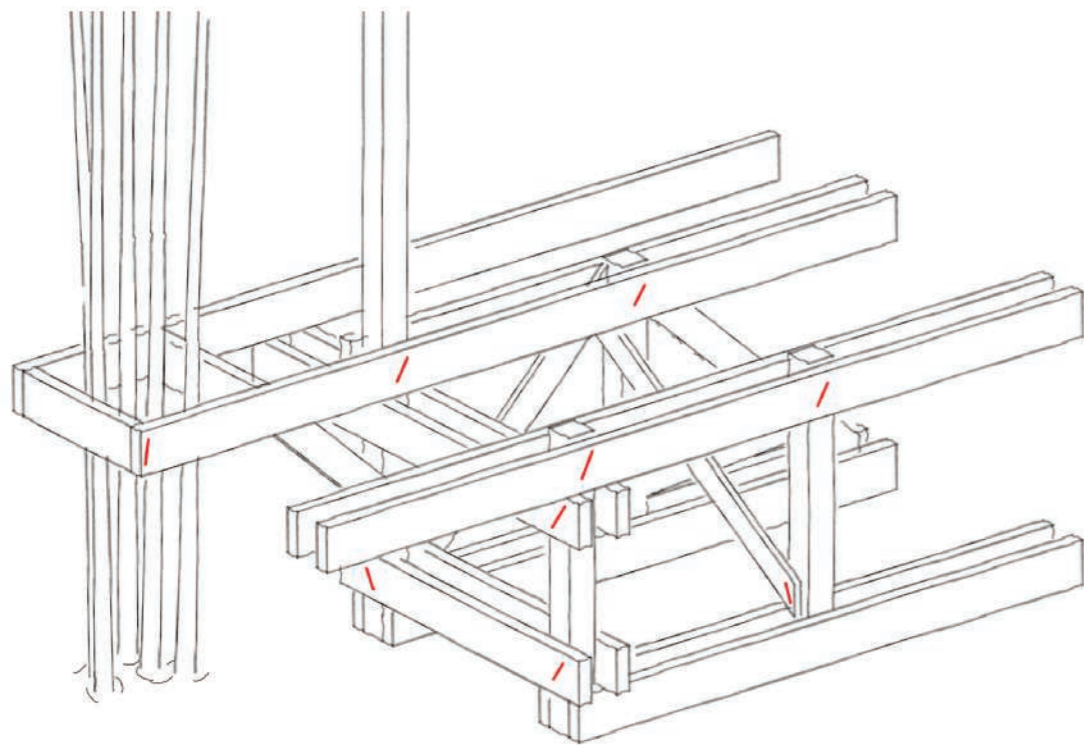
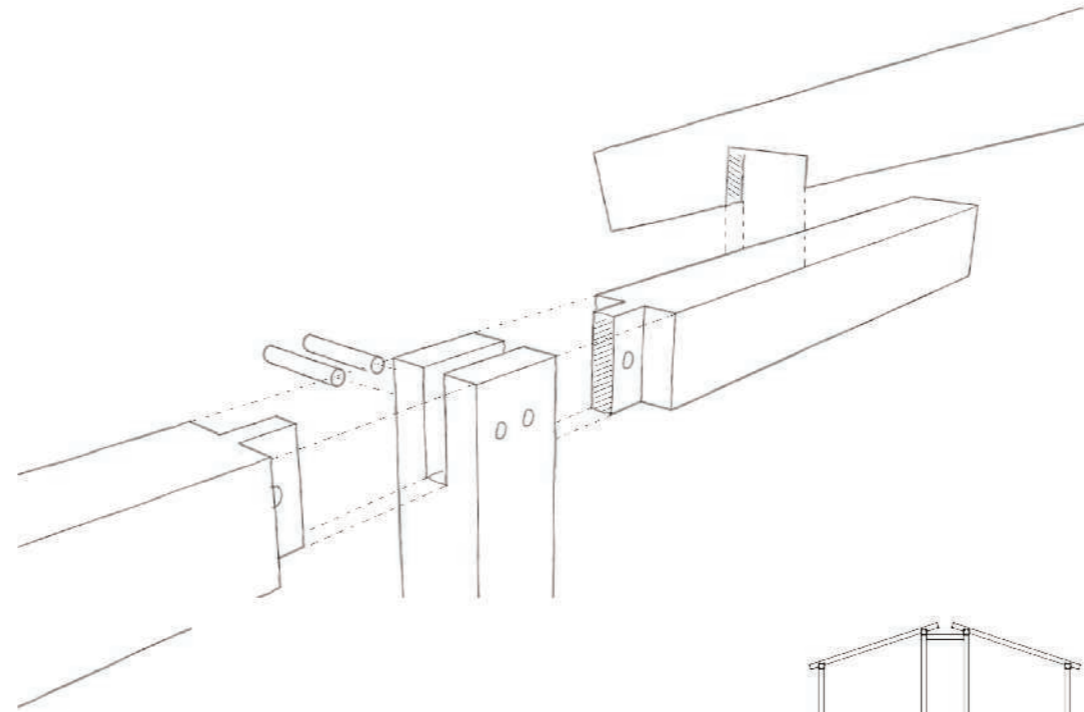
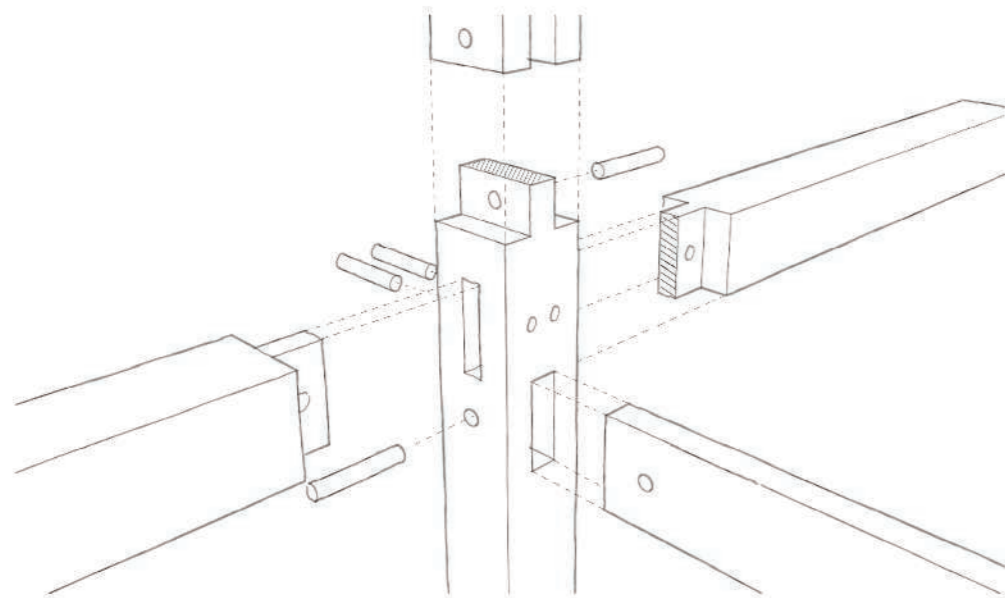


Floorplan groundfloor with place for one household

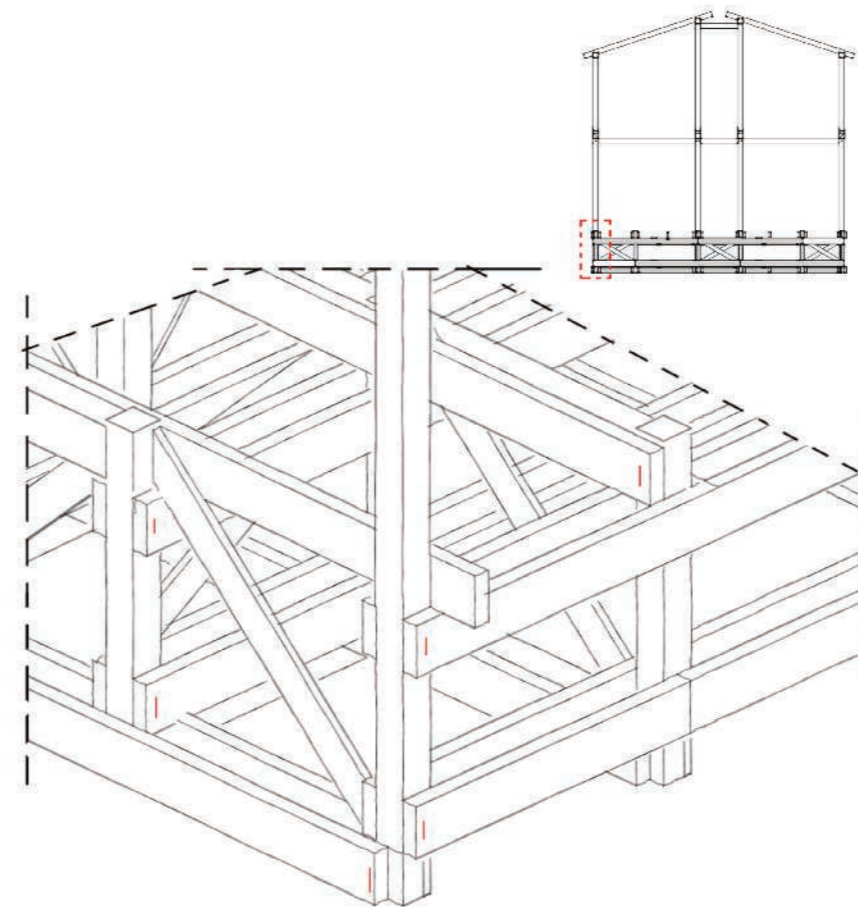
RUMAH PULAU

BOELEN & KRIELEN

exploded view of the construction connections



raft will rise and is guided by fast growing and strong bamboo which is strongly settled in the ground.



Section of the raft. Chambers in the raft will be filled in with recycled plastic bottles. This plastic will gain buoyancy.

This project aims for a safer living environment and a higher independency for the people. It does so by building a new amphibious housing complex, that can provide space to up to eight households, and protects the homes against floods. The construction of the building and the connections in it are designed in such an easy way that the slum dwellers could build it by themselves. The construction materials are affordable and locally available.

RUMAH PULAU BOELEN & KRIELEN